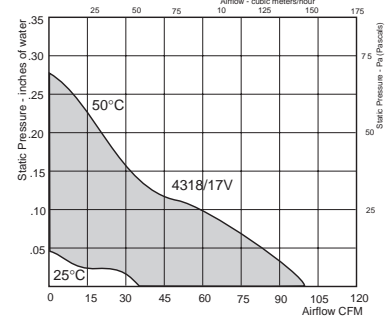
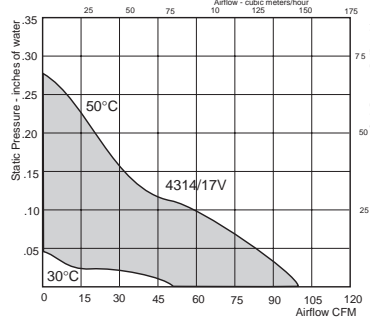
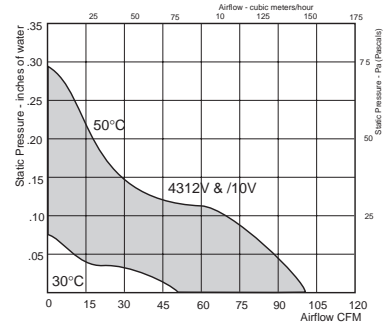
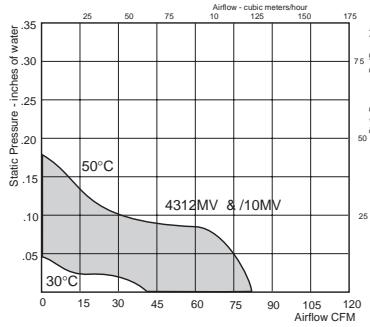
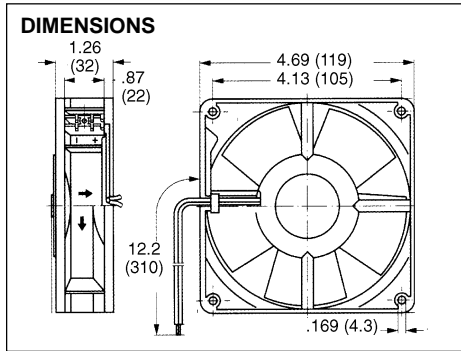
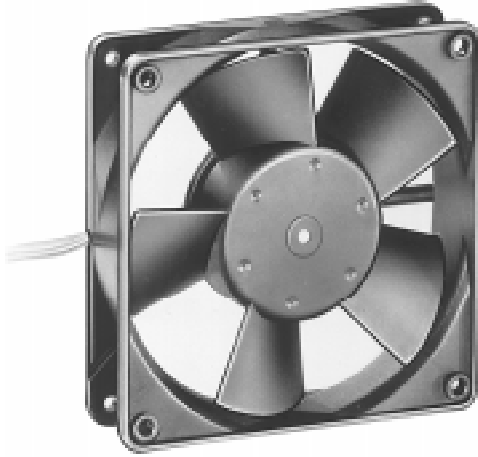


119 x 32mm (4.7" X 1.3") DC VARIOFAN

4300V Series



4.69" X 4.69" X 1.26" Brushless DC, Plastic, Air Exhaust – Over Struts

| PART NUMBER | Type of Bearing | DC Volts | Voltage Range | Temp. °C | Temp. Watts | CFM @ 0" | Temp. dBA | Temp. Max °C | Wgt. (oz) | Features | Approvals* | | |
|------------------|-----------------|----------|---------------|----------|-------------|----------|-----------|--------------|-----------|--------------------|------------|-----|-----|
| | | | | | | | | | | | UL | CSA | VDE |
| 4312MV | Ball | 12 | 8 - 13 | 30 | 1.4 | 41 | 22 | 65 | 8 | 12.2" AWG 22 Leads | ✓ | ✓ | ✓ |
| | | | | 50 | 3.4 | 82 | 39 | | | | | | |
| 4312/10MV | Ball | 12 | 8 - 13 | 30 | 1.4 | 41 | 22 | 65 | 8 | Leads, Alarm | ✓ | ✓ | ✓ |
| | | | | 50 | 3.4 | 82 | 39 | | | | | | |
| 4312V | Ball | 12 | 8 - 13 | 30 | 1.8 | 50 | 29 | 65 | 8 | 12.2" AWG 22 Leads | ✓ | ✓ | ✓ |
| | | | | 50 | 5.4 | 100 | 45 | | | | | | |
| 4312/10V | Ball | 12 | 8 - 13 | 30 | 1.8 | 50 | 29 | 65 | 8 | Leads, Alarm | ✓ | ✓ | ✓ |
| | | | | 50 | 5.4 | 100 | 45 | | | | | | |
| 4314/17V | Ball | 24 | 21 - 27 | 30 | 3.0 | 50 | 29 | 65 | 8 | Leads, Alarm | ✓ | ✓ | ✓ |
| | | | | 50 | 5.4 | 100 | 45 | | | | | | |
| 4318/17V | Ball | 48 | 40 - 53 | 25 | 2.6 | 35 | 21 | 65 | 8 | Leads, Alarm | ✓ | ✓ | ✓ |
| | | | | 50 | 5.4 | 100 | 45 | | | | | | |

Temperature Sensor must be ordered separately: LZ 370 * UL yellow card E38324, CSA file 27697, VDE file 3072

| | | | | |
|--|------------------|---|--------------------|--|
| CONSTRUCTION MOUNTING & CONNECTION | Mounting: | From either face using four .169" (4.3mm) holes | Connection: | Three lead wires color coded, red (+), blue (-) / black (-) violet (temp sensor) |
| | Weight: | 8 ounces (220g) | Options: | Hall Effect monitor; Alarm |
| | Housing: | Plastic with plastic impeller | | |